

Videofied Upgrade With DSC PC1616



DSC®



videofied™

Introduction: This document explains how to upgrade a DSC PC1616 control panel with Videofied Video Verification and interactivity. The DSC PC1616 control panel upgrade requires two 12V SPDT (single pull double throw) relays. This document covers basic relay module configuration in addition to more detailed output function configuration.

1. VIDEOFIED UPGRADE

Configure DSC PC1616 to Arm / Disarm Videofied

STEP 1: CONFIGURE XTENDER MODE

RIGHT ARROW to ACCESS LEVEL and press YES, RIGHT ARROW to ACCESS LVL:4 and press YES. When prompted with BADGE OR CODE enter you installer code + YES

DATE / TIME
DISARMED LVL: 1

ACCESS LEVEL
4

Using the RIGHT ARROW go to CONFIGURATION and press YES.

CONFIGURATION

Press YES on GENERAL PARAMETERS

GENERAL PARAMETERS

Using the RIGHT ARROW go to XTENDER and press YES

XTENDER

With the display showing ARMING OPTION, press YES and use the arrow keys to change it to FROM THE HOST and press YES

ARMING OPTION:
FROM THE HOST

RIGHT ARROW to ENTRY DELAY and press YES. Set the value to 0 using the alphanumeric keypad and press YES.

ENTRY DELAY
0

RIGHT ARROW to TRANSMISSION DELAY and press YES. Set the value to 0 using the alphanumeric keypad and press YES.

TRANSMISSION DELAY
0

RIGHT ARROW to ARMING CONFIRMATION and press YES. Set the value to 0 using the alphanumeric keypad and press YES.

ARMING CONFIRMATION
0

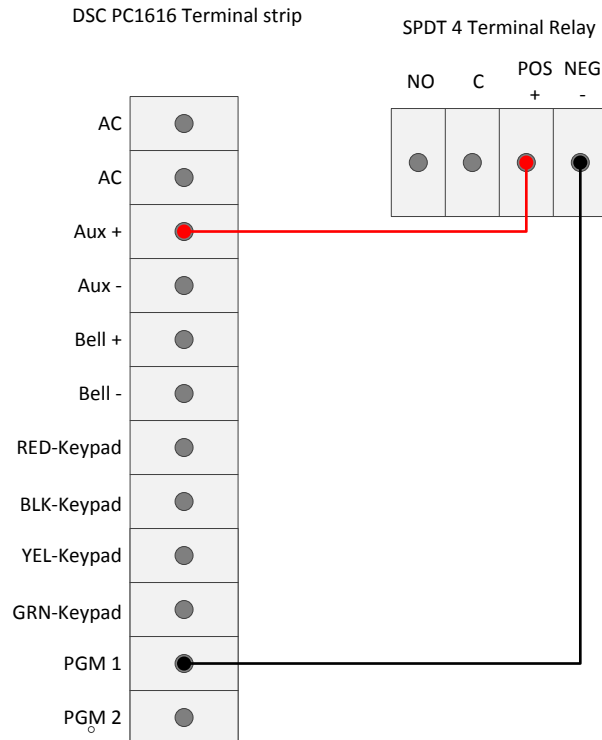
RIGHT ARROW to MODE and press YES. Set the value to SLOW using the arrows and press YES.

MODE
SLOW

Press and hold the ESC/NO key for 5 seconds to return to the main menu.

STEP 2 - Wire and configure DSC PC1616 Open Collector Output

Connect one SPDT Relay Module to the DSC PC1616 Series Control Panel



Enter Installer / Programming Mode

Enter * 8 then installer code

Configure Output Function: Videofied Upgrade to DSC PC1616 series control panels requires configuration of one output function for arming and disarming. If using both Arming and Mapping input you must configure both PGM 1 and PGM 2 at the same time.

ARM FUNCTION

Enter selection of "009"

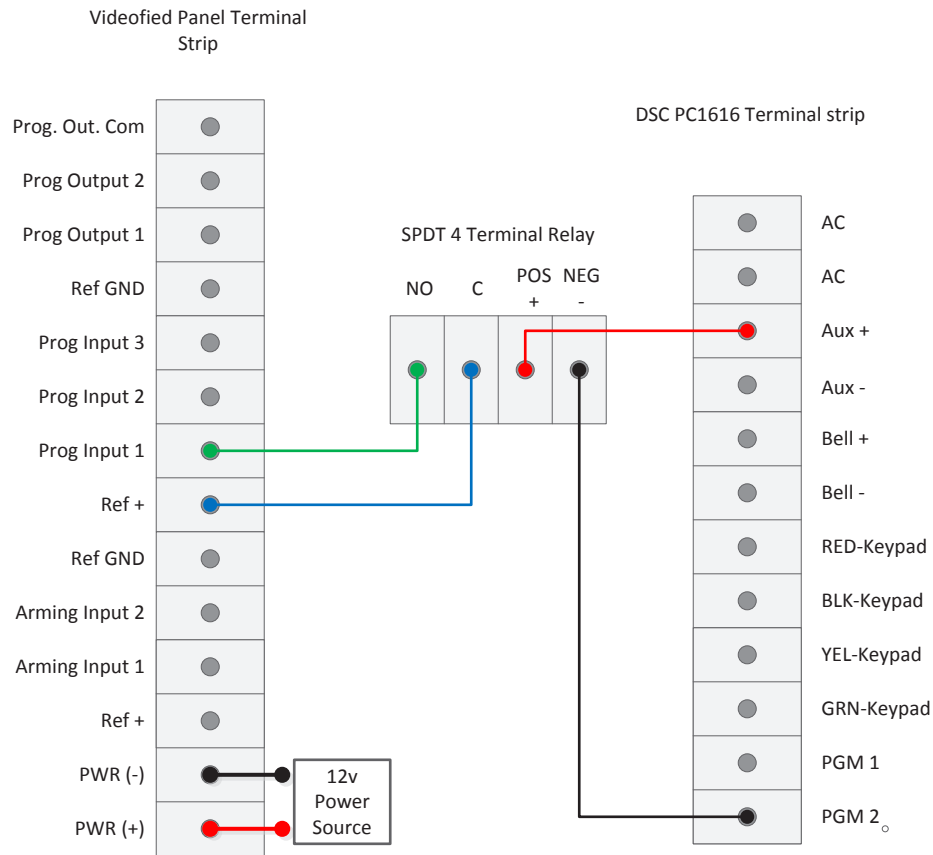
Enter 01 - 01 = PGM 1 to trigger on Fire and Burg - You must configure PGM 1 at this time

Enter 05 - 05 = PGM2 to trigger on Arming

Enter ## to exit

Note: PGM2 is used for arming due to PGM 1 being limited to 50mA

Wiring Diagram - DSC PC1616 to Videofied Panel



2. TRIGGER AN INPUT ON VIDEOFIED PANEL WITH DSC PC1616 PANEL

STEP 1: CONFIGURE INPUT ON VIDEOFIED CONTROL PANEL

RIGHT ARROW to ACCESS LEVEL and press YES, RIGHT ARROW to ACCESS LVL:4 and press YES. When prompted with BADGE OR CODE enter you installer code + YES

Using the RIGHT ARROW go to CONFIGURATION and press YES.

Press YES on GENERAL PARAMETERS

DATE / TIME
DISARMED LVL:1

ACCESS LEVEL
4

CONFIGURATION

GENERAL PARAMETERS

Using the RIGHT ARROW go to PROGRAMMABLE INPUTS and press YES

PROGRAMMABLE INPUTS

Using the arrow keys press YES on the PROGRAMMABLE INPUT 1

PROGRAMMABLE INPUT

#

Press YES on TRANSMISSION and choose the desired option using the arrow keys and YES:

TRANSMISSION

- Enable - Input is listening all the time
- Disable - Input is disabled
- Only If Armed - Input is listening only when system is armed

RIGHT ARROW to ALARM MODE and press YES. Use the arrow keys to choose the desired option followed by YES.

ALARM MODE

- Alarm - Event is transmitted
- Alarm / End - Event and restore are transmitted

RIGHT ARROW to INPUT TYPE and press YES. Use the arrow keys to choose Closed and press YES

INPUT TYPE
CLOSED

RIGHT ARROW to EVENT TYPE and press YES. Use the arrow keys to select the event the panel should report to the central station when the input is triggered and press YES.

EVENT TYPE

RIGHT ARROW to INPUT NAME and press YES. Use the alphanumeric keypad to define a logical name to the input and press YES.

INPUT NAME

RIGHT ARROW to SIREN MODE and press YES. Use the arrow keys to choose the desired siren option followed by YES.

SIREN MODE

- Siren - Input trigger will sound all sirens
- Silent - Input trigger will make no noise / feedback
- Without Siren - Input trigger will beep keypad only

RIGHT ARROW to MAPPING and press YES. This gives you the option to capture a video from a MotionViewer when the input is triggered. Use the arrow keys to choose a installed MotionViewer from the list and press YES

MAPPING

Press and hold the ESC/NO key for 5 seconds to go back to the main screen.

STEP 2: CONFIGURE DSC PC1616 OUTPUT

Enter Installer / Programming Mode

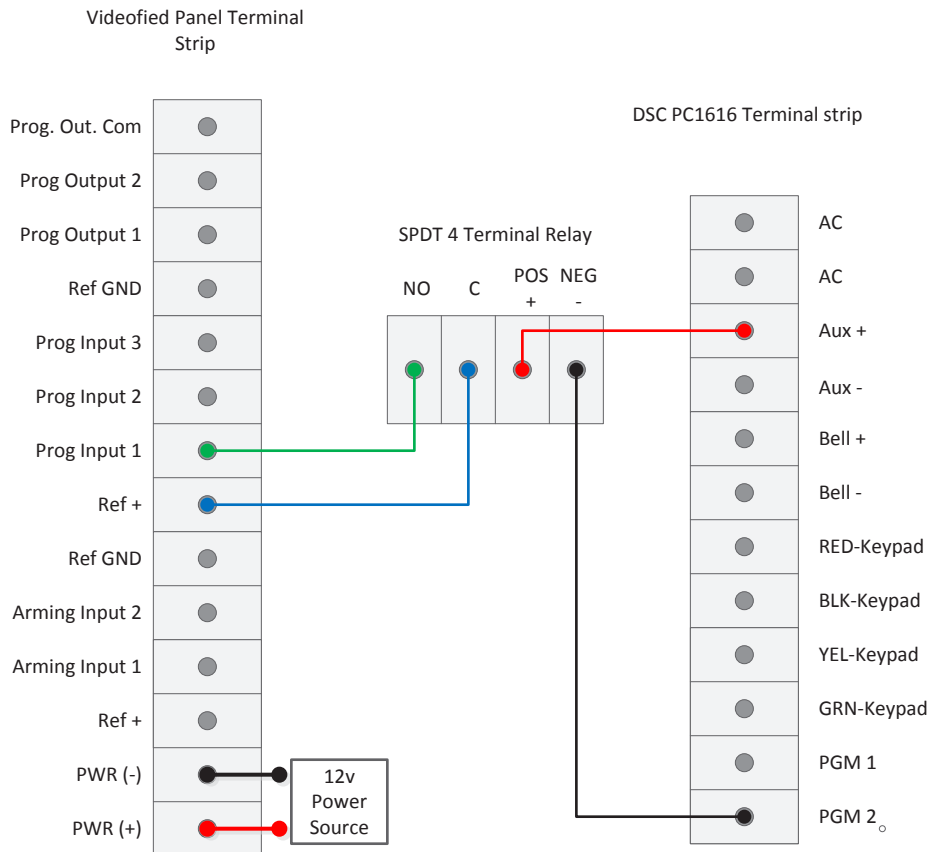
Enter * 8 then installer code

Enter section of "009"

Enter 01 to configure PGM 1 - 01 = Trigger on Fire and Burglary

Enter # # to exit

Wiring Diagram - Using a Videofied Programmable Input



3. EXAMPLE APPLICATION FOR INPUT

OBJECTIVE: Configure any burglary condition on the DSC PC1616 control panel to create a burglary condition on the Videofied panel and to report an intrusion signal to the central station with a video from MotionViewer 1

Videofied Programmable Input Configuration -

TRANSMISSION: ENABLED

ALARM MODE: ALARM - Event only is transmitted

INPUT TYPE: OPEN

EVENT TYPE: INTRUSION

INPUT NAME: GE BURG

SIREN MODE: SIREN

MAPPING: MOTIONVIEWER1

DSC PC1616 Output Function Configuration -

Activated On: PGM 1

Segment 1: 01 = Trigger on Fire and Burglary



EMEA SALES
23, avenue du Général Leclerc
92340 BOURG-LA-REINE
FRANCE
Hotline: +33 (0)820 846 620
Fax: +33 (0)1 82 69 80 10

USA SALES
1375 Willow Lake Blvd #103
Vadnais Heights, MN 55110
USA
Hotline: +1 877 206 5800
Fax: +1 651 762 4693

www.videofied.com