

Videofied Upgrade With Honeywell Lynx Series



Honeywell



videofied™

Introduction: This document explains how to upgrade a Honeywell Lynx Series control panel with Videofied Video Verification and interactivity. The Lynx series control panel upgrade requires a Honeywell 5800RLRelay Module. This document covers basic relay module configuration in addition to more detailed output function configuration.

1. VIDEOFIED UPGRADE

Configure Honeywell Lynx Series to Arm / Disarm Videofied

STEP 1: CONFIGURE XTENDER MODE

RIGHT ARROW to ACCESS LEVEL and press YES, RIGHT ARROW to ACCESS LVL:4 and press YES. When prompted with BADGE OR CODE enter you installer code + YES

DATE / TIME
DISARMED LVL: 1

Using the RIGHT ARROW go to CONFIGURATION and press YES.

ACCESS LEVEL
4

Press YES on GENERAL PARAMETERS

CONFIGURATION

Using the RIGHT ARROW go to XTENDER and press YES

GENERAL PARAMETERS

With the display showing ARMING OPTION, press YES and use the arrow keys to change it to FROM THE HOST and press YES

XTENDER

ARMING OPTION:
FROM THE HOST

RIGHT ARROW to ENTRY DELAY and press YES. Set the value to 0 using the alphanumeric keypad and press YES.

ENTRY DELAY
0

RIGHT ARROW to TRANSMISSION DELAY and press YES. Set the value to 0 using the alphanumeric keypad and press YES.

TRANSMISSION DELAY
0

RIGHT ARROW to ARMING CONFIRMATION and press YES. Set the value to 0 using the alphanumeric keypad and press YES.

ARMING CONFIRMATION
0

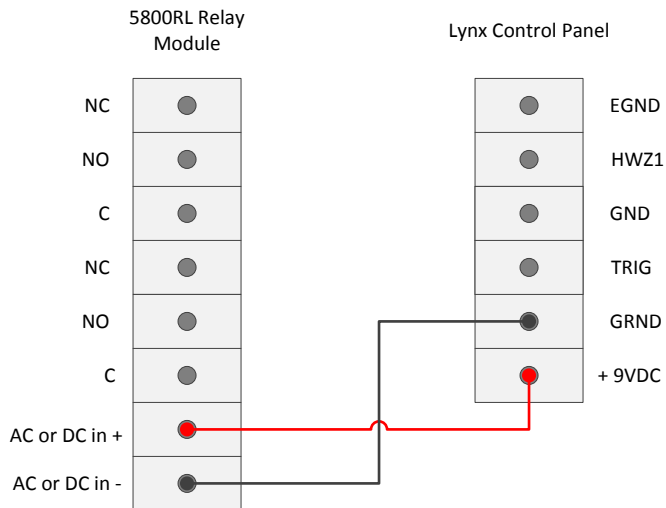
RIGHT ARROW to MODE and press YES. Set the value to SLOW using the arrows and press YES.

MODE
SLOW

Press and hold the ESC/NO key for 5 seconds to return to the main menu.

STEP 2 - CONNECT AND CONFIGURE 5800RL RELAY MODULE

Connect the 5800RL Relay Module to the Honeywell Lynx Control Panel:



Configure address for the 5800RL relay using dip switches - Guide is included with 5800RL relay module to set address

Enter Installer / Programming Mode

Press the More tab and select tools

Enter the installer code for the system

Select Programming

Configure RF House Code: Videofied Upgrade to Lynx series control panels requires configuration of the RF House Code.

ARM FUNCTION

Select system type

Select RF House Code

- This should be the same code set on the 5800RL using the dip switches

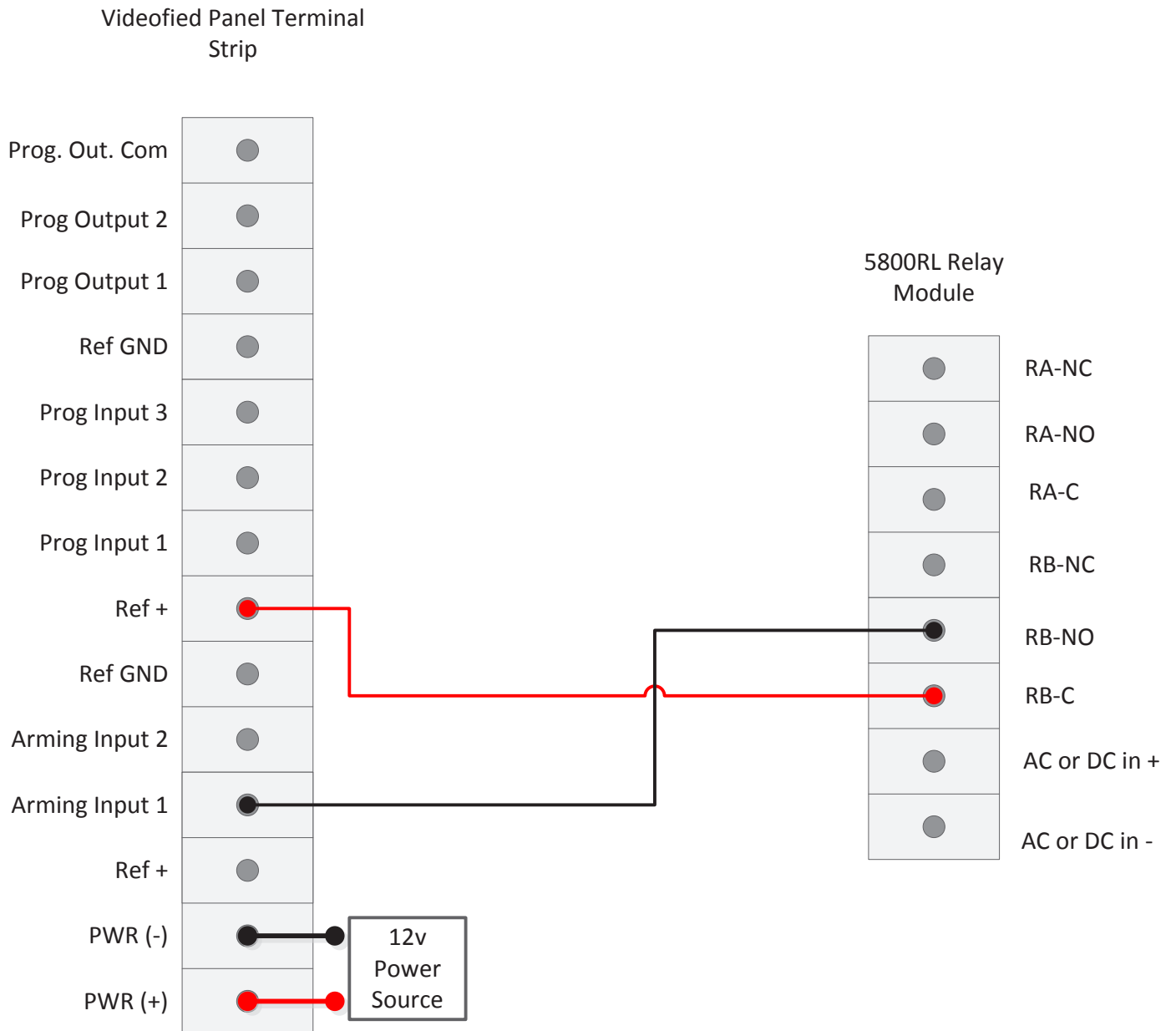
Exit Programming

Wiring the 5800RL relay: The relay is factory programmed. Relay B will be used for the Videofied arming inputs

Relay A activates: Steady on a Burglar alarm, temporal on a fire

Relay B activates on system armed Away, Stay, or Instant, and Off when disarmed

Wiring Diagram - 5800RL Relay Module to Videofied Panel



2. TRIGGER AN INPUT ON VIDEOFIED PANEL WITH LYNX PANEL

STEP 1: CONFIGURE INPUT ON VIDEOFIED CONTROL PANEL

RIGHT ARROW to ACCESS LEVEL and press YES, RIGHT ARROW to ACCESS LVL:4 and press YES. When prompted with BADGE OR CODE enter you installer code + YES

DATE / TIME
DISARMED LVL:1

ACCESS LEVEL
4

Using the RIGHT ARROW go to CONFIGURATION and press YES.

CONFIGURATION

Press YES on GENERAL PARAMETERS

GENERAL PARAMETERS

Using the RIGHT ARROW go to PROGRAMMABLE INPUTS and press YES

PROGRAMMABLE INPUTS

Using the arrow keys press YES on the PROGRAMMABLE INPUT 1

PROGRAMMABLE INPUT
#

Press YES on TRANSMISSION and choose the desired option using the arrow keys and YES:

TRANSMISSION

- Enable - Input is listening all the time
- Disable - Input is disabled
- Only If Armed - Input is listening only when system is armed

RIGHT ARROW to ALARM MODE and press YES. Use the arrow keys to choose the desired option followed by YES.

ALARM MODE

- Alarm - Event is transmitted
- Alarm / End - Event and restore are transmitted

RIGHT ARROW to INPUT TYPE and press YES. Use the arrow keys to choose Closed and press YES

INPUT TYPE
CLOSED

RIGHT ARROW to EVENT TYPE and press YES. Use the arrow keys to select the event the panel should report to the central station when the input is triggered and press YES.

EVENT TYPE

RIGHT ARROW to INPUT NAME and press YES. Use the alphanumeric keypad to define a logical name to the input and press YES.

INPUT NAME

RIGHT ARROW to SIREN MODE and press YES. Use the arrow keys to choose the desired siren option followed by YES.

Siren - Input trigger will sound all sirens

Silent - Input trigger will make no noise / feedback

Without Siren - Input trigger will beep keypad only

SIREN MODE

RIGHT ARROW to MAPPING and press YES. This gives you the option to capture a video from a MotionViewer when the input is triggered. Use the arrow keys to choose a installed MotionViewer from the list and press YES

MAPPING

Press and hold the ESC/NO key for 5 seconds to go back to the main screen.

STEP 2: CONFIGURE HONEYWELL LYNX OUTPUTS

Enter Installer / Programming Mode

Press the More tab and select tools

Enter the installer code for the system

Select Programming

Configure RF House Code: Videofied Upgrade to Lynx series control panels requires configuration of the RF House Code.

ARM FUNCTION

Select system type

Select RF House Code

- This should be the same code set on the 5800RL using the dip switches

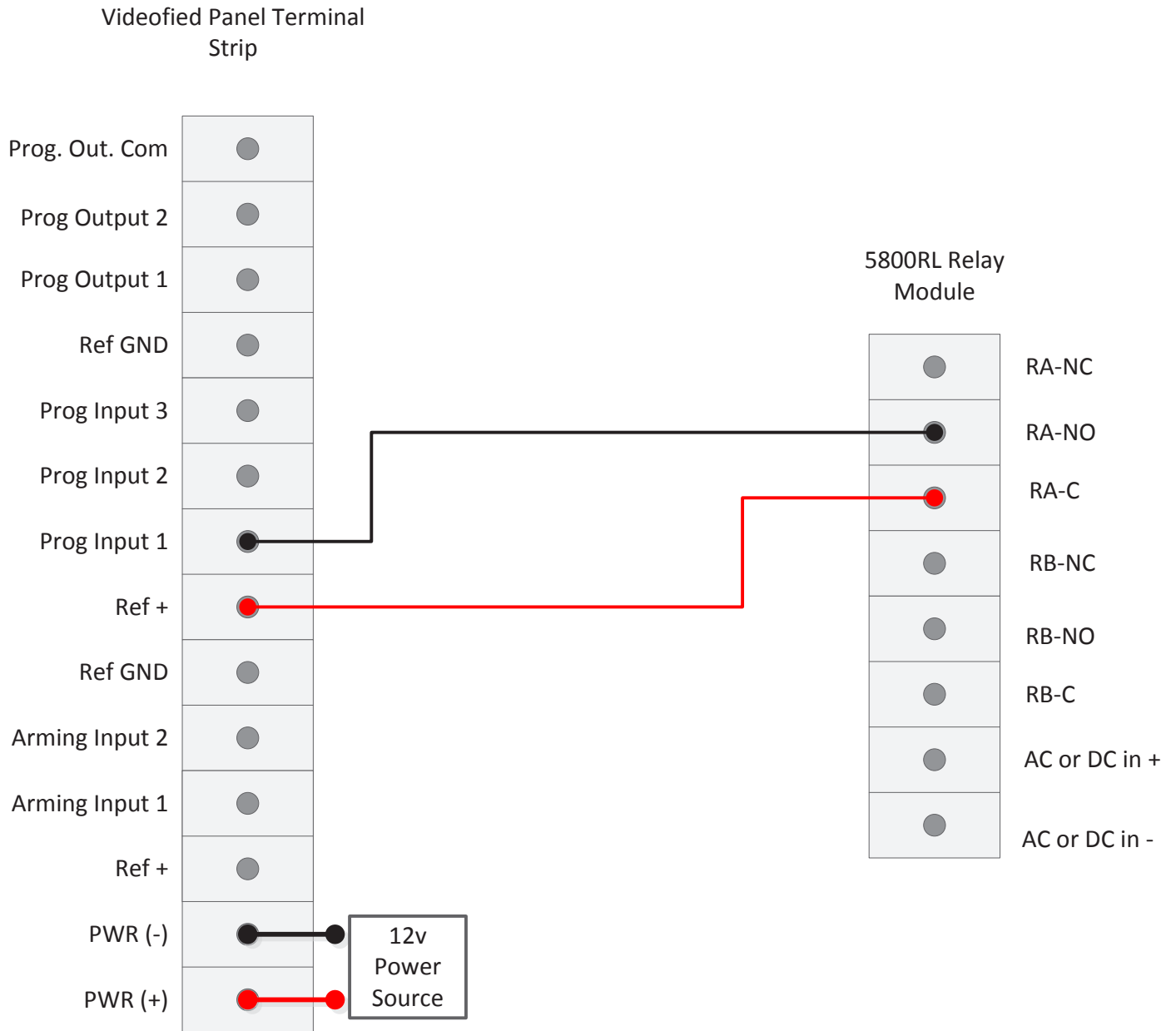
Exit Programming

Wiring the 5800RL relay: The relay is factory programmed - Relay A will be used for the Videofied Input trigger

Relay A activates: Steady on a Burglar alarm, temporal on a fire

Relay B activates on system armed Away, Stay, or Instant, and Off when disarmed

Wiring Diagram - Using a Videofied Programmable Input



3. EXAMPLE APPLICATION FOR INPUT

OBJECTIVE: Configure any burglary condition on the Lynx control panel to create a burglary condition on the Videofied panel and to report an intrusion signal to the central station with a video from MotionViewer 1

Videofied Programmable Input Configuration -

TRANSMISSION: ENABLED

ALARM MODE: ALARM - Event only is transmitted

INPUT TYPE: OPEN

EVENT TYPE: INTRUSION

INPUT NAME: LYNX BURG

SIREN MODE: SIREN

MAPPING: MOTIONVIEWER1

Honeywell Lynx Output Functions Configuration -

The relay is factory programmed - Relay A will be used for the Videofied Input trigger on any burglary condition.Co



EMEA SALES
23, avenue du Général Leclerc
92340 BOURG-LA-REINE
FRANCE
Hot line: +33 (0)820 846 620
Fax: +33 (0)1 82 69 80 10

USA SALES
1375 Willow Lake Blvd #103
Vadnais Heights, MN 55110
USA
Hotline: +1 877 206 5800
Fax: +1 651 762 4693

www.videofied.com