

# Videofied Upgrade With Honeywell Vista Series



**Honeywell**



**videofied™**

**Introduction:** This document explains how to upgrade a Honeywell Vista Series control panel with Videofied Video Verification and interactivity. The Vista series control panel upgrade requires a Honeywell 4204 Relay Module. This document covers basic relay module configuration in addition to more detailed output function configuration.

**1. VIDEOFIED UPGRADE**

Configure Honeywell Vista Series to Arm / Disarm Videofied

## STEP 1: CONFIGURE XTENDER MODE

RIGHT ARROW to ACCESS LEVEL and press YES, RIGHT ARROW to ACCESS LVL:4 and press YES. When prompted with BADGE OR CODE enter you installer code + YES

DATE / TIME  
DISARMED LVL: 1

Using the RIGHT ARROW go to CONFIGURATION and press YES.

ACCESS LEVEL  
4

Press YES on GENERAL PARAMETERS

CONFIGURATION

Using the RIGHT ARROW go to XTENDER and press YES

GENERAL PARAMETERS

With the display showing ARMING OPTION, press YES and use the arrow keys to change it to FROM THE HOST and press YES

XTENDER

ARMING OPTION:  
FROM THE HOST

RIGHT ARROW to ENTRY DELAY and press YES. Set the value to 0 using the alphanumeric keypad and press YES.

ENTRY DELAY  
0

RIGHT ARROW to TRANSMISSION DELAY and press YES. Set the value to 0 using the alphanumeric keypad and press YES.

TRANSMISSION DELAY  
0

RIGHT ARROW to ARMING CONFIRMATION and press YES. Set the value to 0 using the alphanumeric keypad and press YES.

ARMING CONFIRMATION  
0

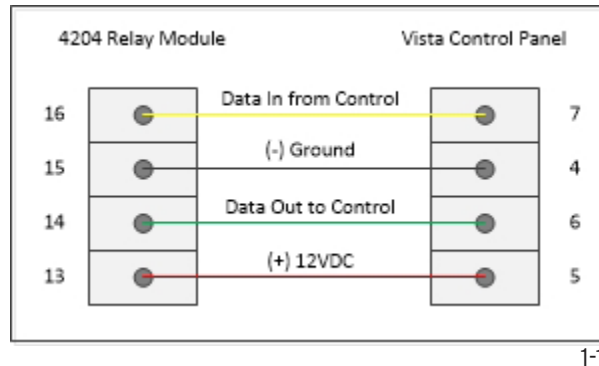
RIGHT ARROW to MODE and press YES. Set the value to SLOW using the arrows and press YES.

MODE  
SLOW

Press and hold the ESC/NO key for 5 seconds to return to the main menu.

## STEP 2 - CONNECT AND CONFIGURE 4204 RELAY MODULE

Connect the 4204 Relay Module to the Vista Series Control Panel: See Diagram 1-1 below



Configure address for the 4204 relay using dip switches - Guide is included with 4204 relay module to set address

### Enter Installer / Programming Mode

Enter the installer code for the system + 800 (#####800).

With the display showing Installer 20, type \* 7 9 to enter output configuration.

Assign an output number to the relay position that will be connected to the Videofied Panel Arming Input and verify 4204 device address.

Press 0 0 to exit output configuration.

**Configure Output Functions:** Videofied Upgrade to Vista series control panels requires configuration of two output functions, one for arming and another for disarming.

#### ARM FUNCTION

Press \* 8 0 to enter output functions.

\* to configure output function 1 (or go to the next unprogrammed output option).

\* to advance to Activated By - Choose 2 (zone type).

\* to advance to Zone Type - Choose 31 (End Exit Time).

\* to advance to Output Action - Choose 2 (Stay Closed).

\* to advance to Output Number - Choose correct relay position set in output configuration (1-4).

Press 0 0 to exit.

**DISARM FUNCTION**

Press \* 8 0 to enter output functions.

Enter 02 then \* to configure output function 2 (or use the next unprogrammed output option)

\* to advance to Activated By - Choose 2 (Zone Type)

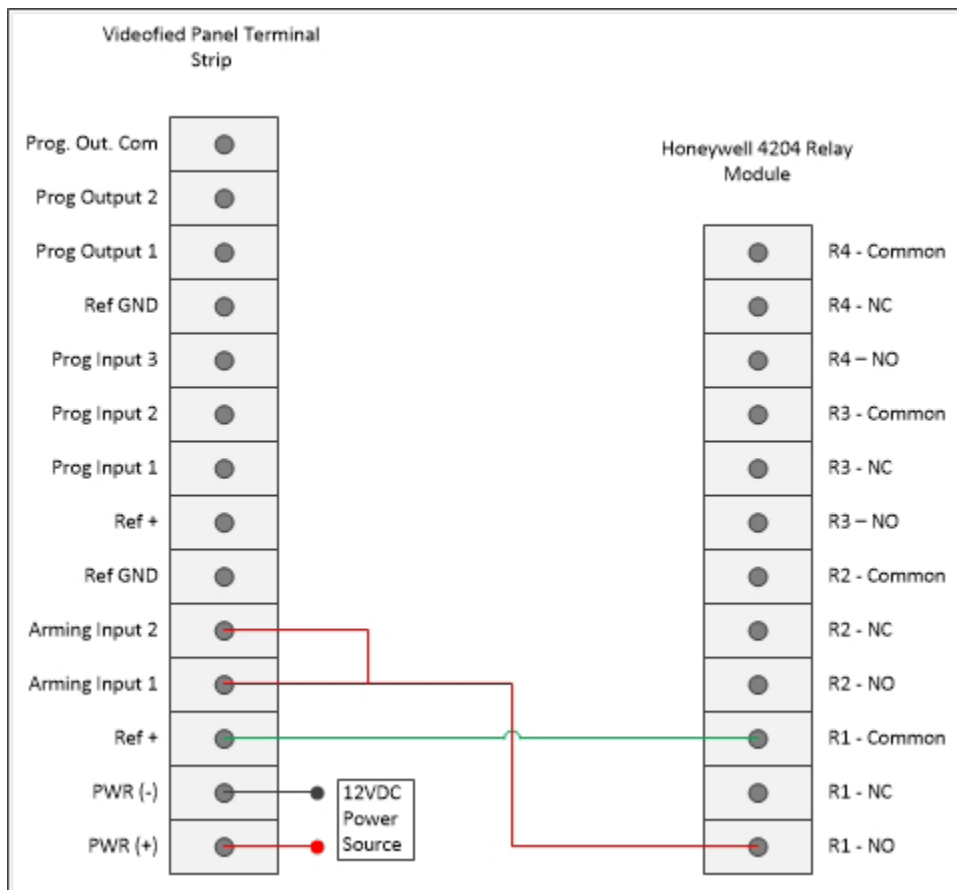
\* to advance to Zone Type - Choose 22 (Disarm)

\* to advance to Output Action - Choose 0 (Off)

\* to advance to Output Number - Choose correct relay position (1-4) (Note: This must be the same relay position as configured in the arm function)

Press 0 0 to exit.

**Wiring Diagram - Honeywell 4204 Relay Module to Videofied**



## 2. TRIGGER AN INPUT ON VIDEOFIED PANEL WITH VISTA PANEL

### STEP 1: CONFIGURE INPUT ON VIDEOFIED CONTROL PANEL

RIGHT ARROW to ACCESS LEVEL and press YES, RIGHT ARROW to ACCESS LVL:4 and press YES. When prompted with BADGE OR CODE enter you installer code + YES

DATE / TIME  
DISARMED LVL:1

ACCESS LEVEL  
4

Using the RIGHT ARROW go to CONFIGURATION and press YES.

CONFIGURATION

Press YES on GENERAL PARAMETERS

GENERAL PARAMETERS

Using the RIGHT ARROW go to PROGRAMMABLE INPUTS and press YES

PROGRAMMABLE INPUTS

Using the arrow keys press YES on the PROGRAMMABLE INPUT 1

PROGRAMMABLE INPUT  
#

Press YES on TRANSMISSION and choose the desired option using the arrow keys and YES:

TRANSMISSION

- Enable - Input is listening all the time
- Disable - Input is disabled
- Only If Armed - Input is listening only when system is armed

RIGHT ARROW to ALARM MODE and press YES. Use the arrow keys to choose the desired option followed by YES.

ALARM MODE

- Alarm - Event is transmitted
- Alarm / End - Event and restore are transmitted

RIGHT ARROW to INPUT TYPE and press YES. Use the arrow keys to choose Closed and press YES

INPUT TYPE  
CLOSED

RIGHT ARROW to EVENT TYPE and press YES. Use the arrow keys to select the event the panel should report to the central station when the input is triggered and press YES.

EVENT TYPE

RIGHT ARROW to INPUT NAME and press YES. Use the alphanumeric keypad to define a logical name to the input and press YES.

INPUT NAME

RIGHT ARROW to SIREN MODE and press YES. Use the arrow keys to choose the desired siren option followed by YES.

Siren - Input trigger will sound all sirens

Silent - Input trigger will make no noise / feedback

Without Siren - Input trigger will beep keypad only

SIREN MODE

RIGHT ARROW to MAPPING and press YES. This gives you the option to capture a video from a MotionViewer when the input is triggered. Use the arrow keys to choose a installed MotionViewer from the list and press YES

MAPPING

Press and hold the ESC/NO key for 5 seconds to go back to the main screen.

## STEP 2: CONFIGURE HONEYWELL OUTPUTS

### Enter Installer / Programming Mode

Enter the installer code for the system + 800 (#####800).

\* 8 0 to enter Output Functions

\* to configure output function 1 (or go to next unprogrammed output option).

\* to advance to Activate by - Choose desired option

1 = Zone List

2 = Zone Type

3 = Zone Number

\* to advance to Zone (list,type,Number...) - Choose desired option

Refer to control panel manual for table of conditions

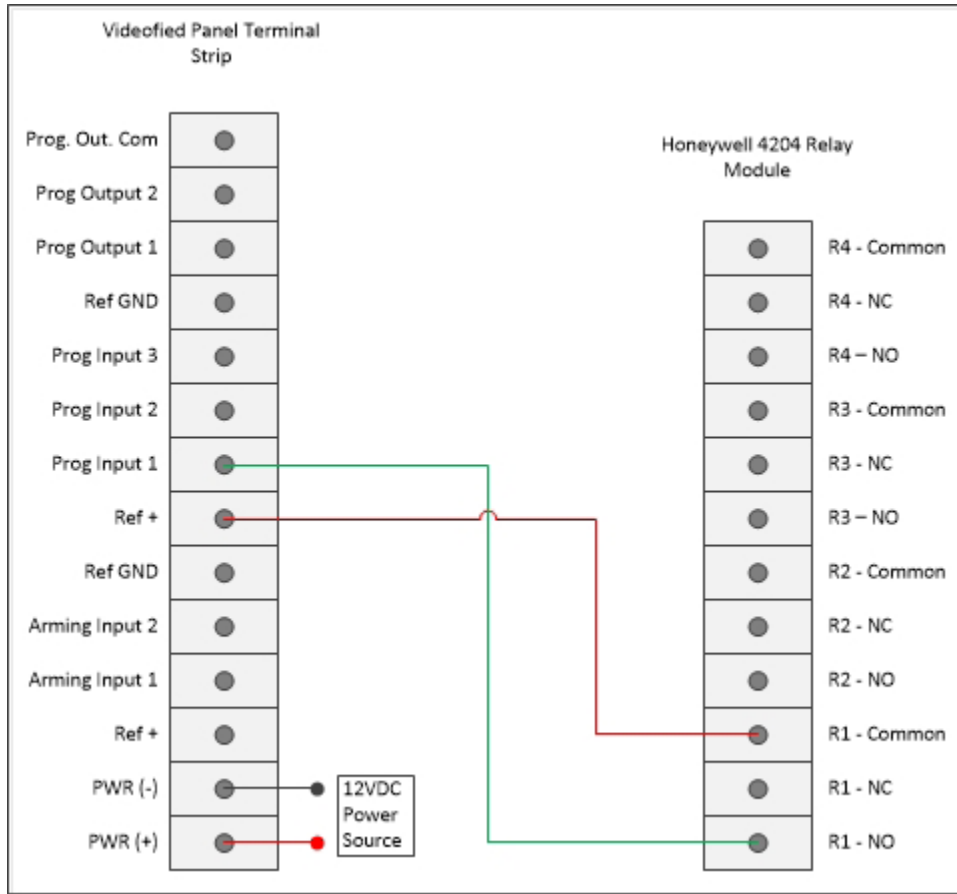
\* to advance to Output Action - Choose desired option

Refer to control panel manual for table of conditions

\* to advance to Output Number - choose correct relay position (1-4)

Press 0 0 to exit output configuration.

### Wiring Diagram - Using a Videofied Programmable Input



### 3. EXAMPLE APPLICATION FOR INPUT

OBJECTIVE: Configure any burglary condition on the Vista control panel to create a burglary condition on the Videofied panel and to report an intrusion signal to the central station with a video from MotionViewer 1

## Videofied Programmable Input Configuration -

TRANSMISSION: ENABLED

ALARM MODE: ALARM - Event only is transmitted

INPUT TYPE: OPEN

EVENT TYPE: INTRUSION

INPUT NAME: HONEYWELL BURG

SIREN MODE: SIREN

MAPPING: MOTIONVIEWER 1

## Honeywell Output Functions Configuration -

ACTIVATED BY: 2 - Zone Type

ZONE TYPE: 33 - Any Burg Alarm

OUTPUT ACTION: 1 - Close for 2 seconds

OUTPUT NUMBER: Choose correct relay position (1-4)



**EMEA SALES**  
23, avenue du Général Leclerc  
92340 BOURG-LA-REINE  
FRANCE  
Hot line: +33 (0)820 846 620  
Fax: +33 (0)1 82 69 80 10

**USA SALES**  
1375 Willow Lake Blvd #103  
Vadnais Heights, MN 55110  
USA  
Hotline: +1 877 206 5800  
Fax: +1 651 762 4693

[www.videofied.com](http://www.videofied.com)

© 2011 RSI VIDEO TECHNOLOGIES. VIDEOFIED® is a Registered Trademark of RSI VIDEO TECHNOLOGIES.  
S'View® is a registered trademark of RSI VIDEO TECHNOLOGIES. Specifications subject to change without notice.